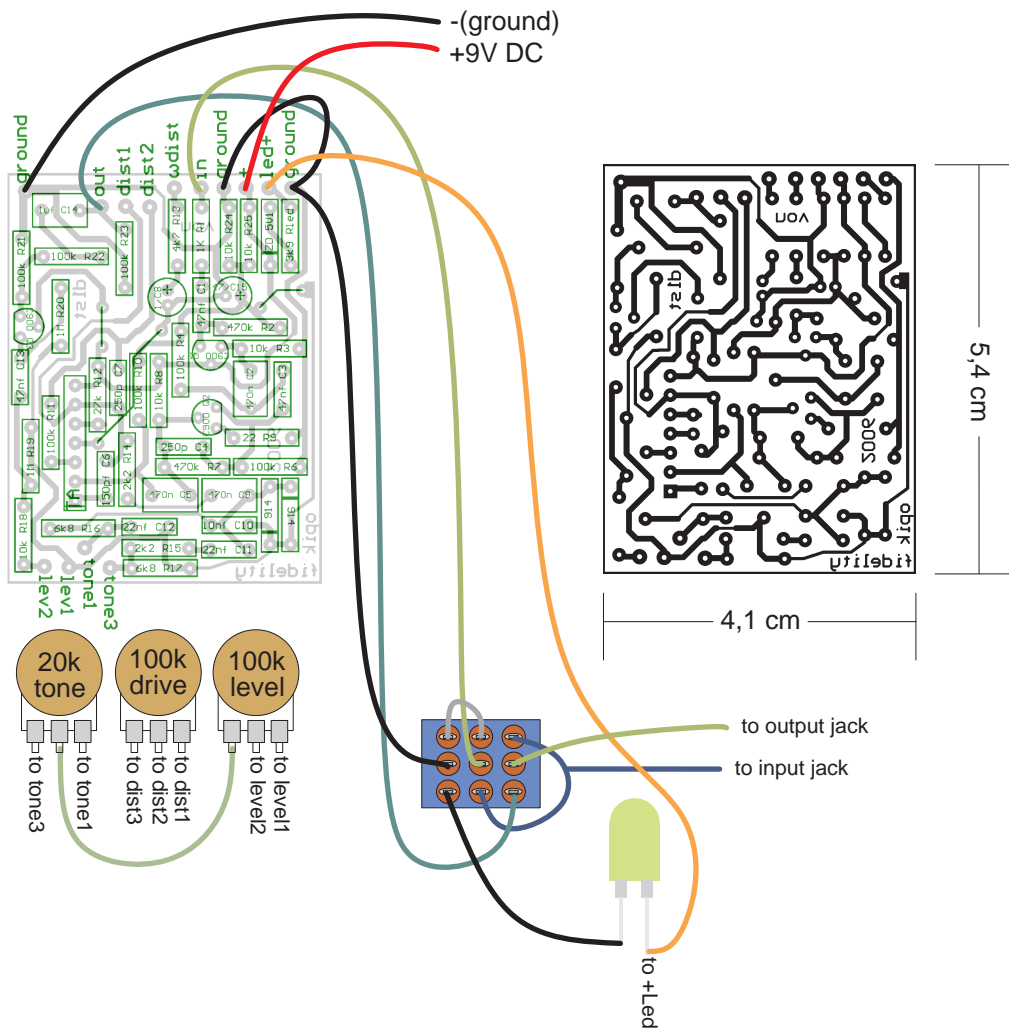


# BOSS Distortion 1 - DS1 Japan Version

I don't provide the schematic drawing, see <http://www.godiksennet.com> you'll find 2 file contains DS1 schematic



Please configure your own Bill of materials, you can do this, just take a look the layout and the schematic which component are use.

Send mail to [fidelityfx@yahoo.com](mailto:fidelityfx@yahoo.com) with questions or comments about this project.  
Copyright © 2007 FIDELITY  
Last modified: 2 feb 07

Layout and presentation by A.Taufik®.  
All rights reserved. Any commercial use is forbidden.  
Permission for posting/serving limited to  
<http://www.geocities.com/fidelityfx>  
Redistribution or retransmission expressly prohibited.